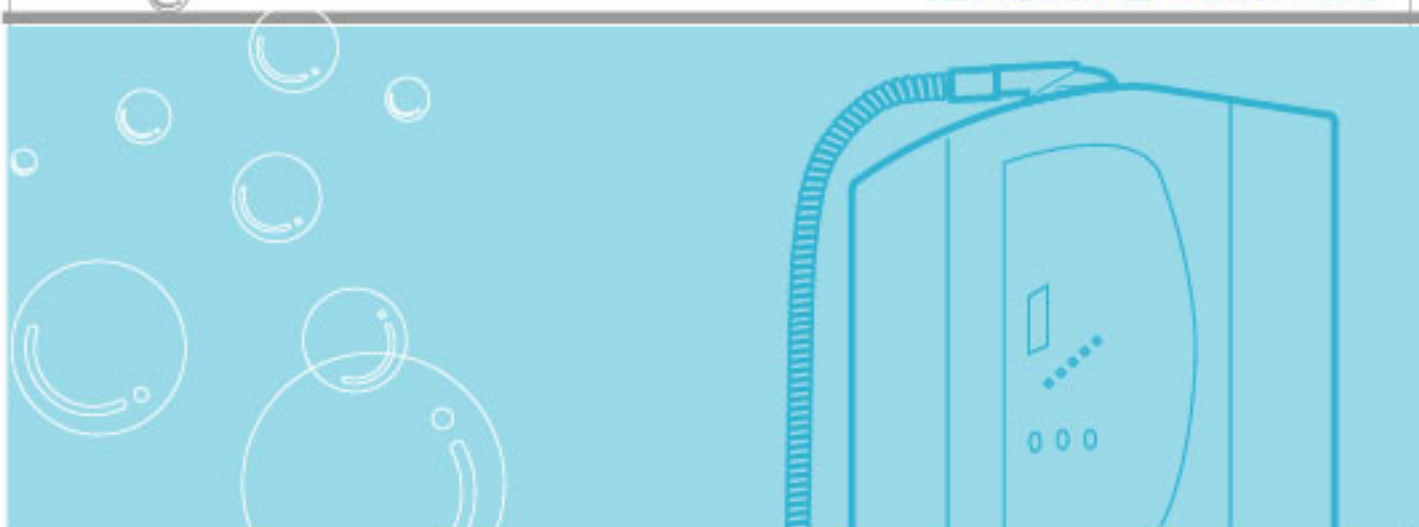


JM-901
Anti-oxidant Ionic Water Processor



IONIZED WATER SYSTEM

**Thank you purchasing
Anti-oxidant Ionic Water Processor.
In order to ensure that you could
continuously enjoy drinking the water
and to maintain the processor for a long
time, please read this operation
manual booklet carefully before
using the processor.**

CONTENTS

| | <u>Page No.</u> |
|-----------------------------|-----------------|
| ● Note of Caution | 1 |
| ● Description of parts | 2 |
| ● Parts Function | 3 ~ 5 |
| ● Installation Procedures | 6 ~ 8 |
| ● Operation | 9 |
| ● pH Testing | 10 |
| ● Supplement Calcium Option | 11 |
| ● Maintenance | 12 |
| ● Trouble Shooting | 13 |
| ● Specifications | 14 |
| ● Certificate of Warranty | 15 ~ 16 |

NOTE OF CAUTION

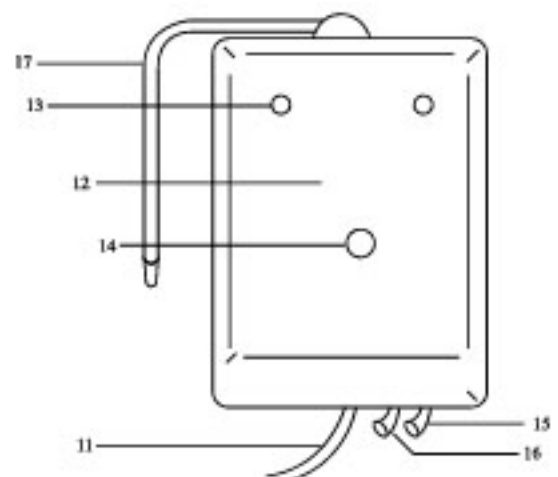
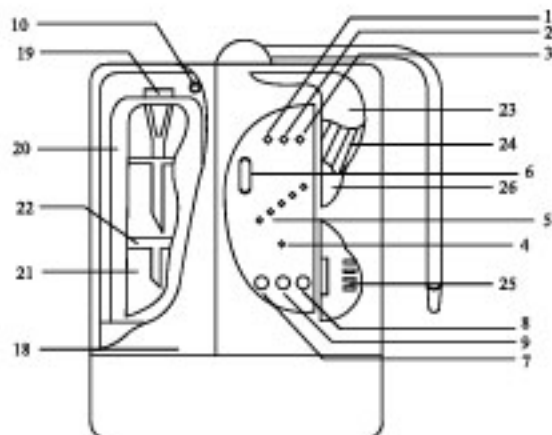
1. Inspect shipping carton and report any damage to shipping company. Carefully unpack your Processor and check for any missing parts using the diagrams in this manual. Your Processor has undergone a 100% function test prior to packing.
2. Do not remove back cover or otherwise attempt to gain access to inner workings of Processor.
3. Keep Processor away from extreme environmental conditions.
4. Please check that the Processor voltage is suitable for your country usage.
5. Unplug Processor, turn off water supply, and discontinue use if Processor fails to resume operation after automatically shut down due to overheating or power overload. Do not attempt to defeat fused protection with the use of higher rated fuse. Contact your Dealer.
6. The Processor is intended for use via direct connection to municipal water supplies only.
7. Begin consuming Alkaline Ionic Water at Level 3 and gradually increases to Level 4 or 5 according to your desire. Level 5 is normally recommended for people who have some severe health problems. Check with your Dealer on this matter. It is possible that you will notice differences in bowel habits during the first few days at any level. Urine frequency may increase and color may darken as more water is consumed and impurities discharge from the body.
8. We recommend usage of plastic bottles or glass bottles for storage of your Alkaline Ionic water. It would be able to retain molecular structure for up to 5 days if refrigerated in capped plastic containers. Avoid use of metal containers.
9. CAUTION! Irreparable filter damage could occur if exposed to hot water. Be certain that only cold water enters the Processor. A temperature sensor will shut down Processor. Consider filter replacement if hot water is accidentally input more than twice.
10. Never consume acidic water. Acidic water is intended for external usage only.

DESCRIPTION OF PARTS

PARTS IDENTIFICATION TABLE

| Item | Component | Item | Component |
|------|--|------|--|
| 1. | Power "ON" indicator LED | 14. | Fuse holder |
| 2. | Ionization in progress LED | 15. | Tap water input |
| 3. | Purifier only LED | 16. | Acidic water output port |
| 4. | Clean cycle "ON" LED | 17. | Flexible stainless steel dispensing hose |
| 5. | pH level indicator LEDs | 18. | Filter Access door |
| 6. | Filter life indicator LED | 19. | supplemental calcium receptacle with cap |
| 7. | pH selection button | 20. | Silver activated carbon filter |
| 8. | Purifier only button | 21. | Silver coated activated carbon |
| 9. | Ion button | 22. | Activated carbon fiber partitions |
| 10. | Filter life reset button (Inside filter chamber) | 23. | Positive electrode (Platinum Titanium) |
| 11. | Power cord connection | 24. | Negative electrode (Platinum Titanium) |
| 12. | Back cover | 25. | Main microprocessor circuit board |
| 13. | Holes for wall mounting hardware | 26. | Electrolytic cell outer case with lining |

STRUCTURE DRAWING



PARTS FUNCTION

1. Power Indicator LED

Power comes on automatically when water pressure is detected, thus activating Power "ON" LED. No other on/off switch is necessary.

2. Ionization in progress LED (ION)

When lighted up, indicates that water is being processed in the electrolysis chamber.

3. Water Purifier LED.

When lighted up, indicates that the electrolysis chamber is turned off for filtered water only. Use filtered water only for medication or any other time when "non-restructured" water is desired.

4. Clean Cycle "ON" LED

When lighted up, indicates that electrode cleaning cycle is in progress.

You will also hear a tune that plays during cleaning.

Do not use water that is dispensed during the cleaning cycle because electrode polarity is reversed and acid water is dispensed from the alkaline water outlet and alkaline from the acidic water outlet. Once LED turns off and tune stops playing, wait for 1 min. before drinking or collecting alkaline ionic water.

5. pH Level Indicator LED 1 to 5

Choose your desired level. Selected level LED will be illuminated.

6. Filter Life Indicator LED

Bar graph LED indicates relative filter life with LED progression from left to right.

Each filter will progress up to 1200 galls. The amount of water usage and the water source condition also affect the movement of this indicator.

7. pH Selection Button

Sequences through 5 pH output levels so that water alkalinity may be adjusted accordingly to individual needs. Actual pH levels will vary according to tap water condition, which is normally in the range from pH 7.5 to 10.5.

8. Purifier Only Button

Choice of purified water only.

9. Ion Button

You may use this button for manual cleaning during heavy usage.

You may also use this button to override the automatic cleaning mode.

PARTS FUNCTION

10. **Reset Button**

For resetting the filter life LED indicator when changing a new filter.

11. **Power Cord Connection**

Power Cord permanently attached here.

12. **Back Cover**

Ensure that this is facing opposite direction during usage.

Do not attempt to remove panel.

13. **Holes mounting on the wall**

The Processor may be safely mounted on the wall.

Please use suitable wall stud or drywall fastener if you wish to mount on the wall.

14. **Fuse Holder**

Chances are that on-board logic will prevent overload, however, verify fuse integrity if Processor does not operate within 5 minutes of automatic shutdown.

15. **Tap Water Inlet**

This part is for water inlet into the Processor.

16. **Acidic Water Outlet**

Connects white rubber hose to this outlet for discharging acidic water during ionization process. Acidic water may be collected for external use such as antiseptic, astringent, soaking foot, shaving aid or mouthwash.

Try not to extend this hose too long.

17. **Flexible Stainless Steel Alkaline water outlet**

Gently position outlet by rotation and/or bending to suitable position for dispensing alkaline ionic water into container. Please disinfect your container with acidic water first before prior to filling up the alkaline ionic water.

18. **Filter Access Cover**

Open the cover from the side and swing it partially open. Gently lift and pull out so as to allow hinge tabs to exit slots. Do not force-door can be removed gently with proper movement.

19. **Supplemental Calcium Vial**

This item is optional. If you wish to have more calcium intake, please purchase the calcium powder from your distributor. The calcium used is medically approved for the Processor usage. Calcium un ionic form is easily being absorbed into the bloodstream. Each Vial of calcium powder could last up to 4 weeks depending on usage.

PARTS FUNCTION

- 20. Silver Activated Carbon Filter**
Silver coated to remove metallic as well as organic impurities.
- 21. Silver Coated Activated Carbon filter**
Similar to Item 20 but capable of removing finer particles up to <1 micron.
- 22. Activated Carbon filter Partition**
Added filtration as water flows from one level to the next.
- 23. Positive Electrode (Platinum Titanium)**
Produces acidic water.
- 24. Negative Electrode (Platinum Titanium)**
Produces alkaline ionic water.
- 25. Micro Processor Circuit Board**
Controls all functions including automatic electrode cleaning, alarm and temperature or electrically related safeguards.
- 26. Electrolytic Cell Outer Case**
House electrolysis chambers and partitions the acid water from the alkaline water for individual dispensing.

INSTALLATION PROCEDURES

In this section, it explains to you how to install new Processor onto the selected tap. Ideally, it would be better to place the unit at the location convenient for use so that you don't have to go out of your way to enjoy the best tasting water on the planet. Included in your Processor is a 2 way tap adapter with 2 tap head options to enable you to install your Processor on just about any type of tap. Locate the circular metal band with the threaded top portion and 4 set screws mounted at 90 degree intervals. This is the adapter to use on a plain spout type tap, without a screw-on aerator, or if the existing threaded aerator is a nonstandard size.

The second adapter has a knurled top portion and an externally threaded bottom half. This is the adapter to use on most kitchen style faucets.

With either adapter in place, a ball type diverter valve with handle and built in replacement aerator is threaded onto the end of the adapter. This fixture has a nipple for attaching the hose routed to the Processor and the valve allows the Processor to bypass for direct water usage from the tap. Follow the diagrams to complete installation. You will find that since the installation hardware is machined to such high tolerances, you should be able to achieve a leak free installation without tools.

Before using wrenches or pliers, please tighten using your fingers.

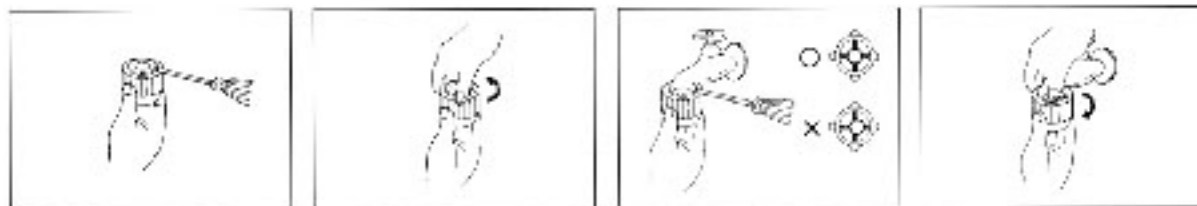
Installing diverter onto a threadless spout type tap

- Loosen the 4 Phillips type screws as shown.
- Place adapter onto end of spout and center.
- Tighten screws firmly and evenly so that adapter remains centered.
- Place thick rubber washer with smaller center hole onto top of diverter valve assembly.
- Thread diverter valve onto installed adapter and tighten.

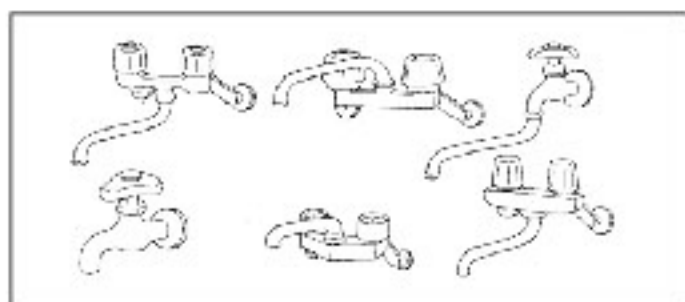
Face hose nipple in the direction of the Processor before tightening.

Note that when diverter valve handle is in the vertical position, tap water will flow directly out of the valve, bypassing the Processor. When valve handle is in the horizontal position, water is diverted to the Processor for purification and ionization.

Install diverter to a tap



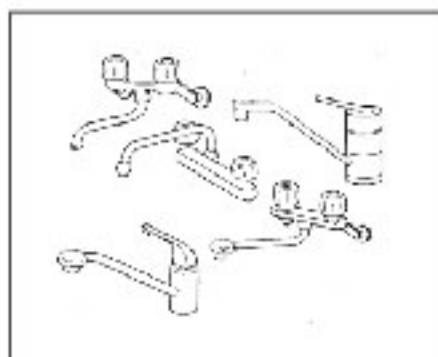
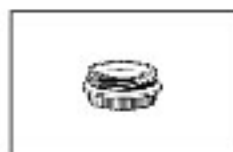
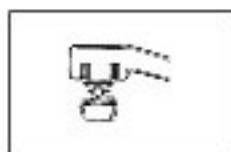
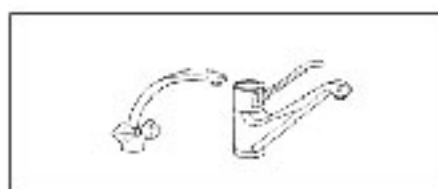
Normal Taps



For the taps in the left diagram, use bottom-bolt fixing type middle-valve cap.

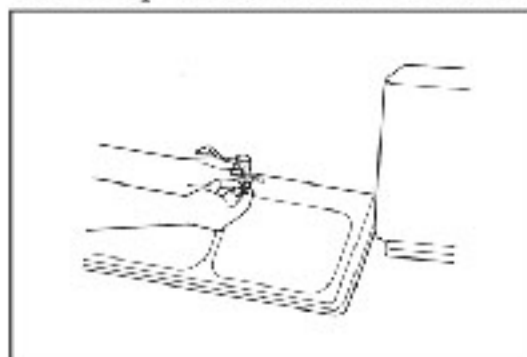


Toto-style and Special Taps

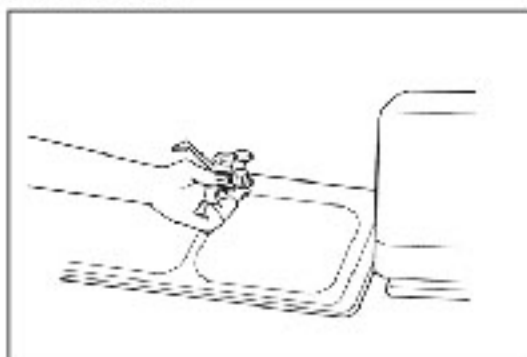


For the above taps — take the screw off from the tap — use supplement parts indicated above

Now you are ready to connect the processor to the diverter valve.
Place the processor on a level counter or shelf next to the sink



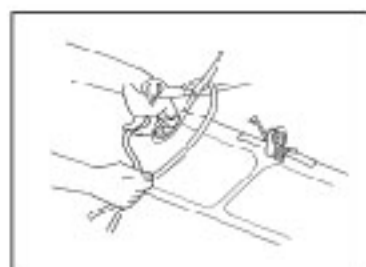
Installation onto standard threaded tap with aerator.
This will apply to the majority of US installations.



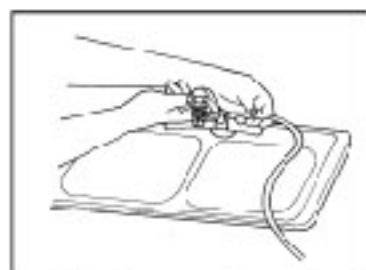
NOTE OF CAUTION

1. Locate the length of white polyethylene hose and estimate the required length to reach the Processor by placing the hose from approximate diverter nipple location and sliding your fingers along the length until reaching the rear of the Processor.
2. Locate the acid water output which you could locate at the center below the Processor. Now, judge the distance required to reach from this nozzle to the sink where the acidic water output.
3. Based on your distance estimates, cut the hose into the appropriate lengths.
4. Next, find one of the two supplied hose spring clamps and with pliers, squeeze it open and slide over the end of the hose that is to be connected to the diverter valve nipple.
5. Twist the hose onto the diverter nipple, then, with the pliers, open spring clamp and slide back onto the space where nipple will have penetrated hose.
6. Repeat this procedure with the second spring clamp, but on the Processor piece end of the hose. Make sure to select the tap water inlet, to the right of acidic water output, facing the rear of the Processor.
7. Secure the remaining length of hose to the acidic water output. No spring clamp is necessary for this connection.
8. Locate the flexible stainless steel hose with end nozzle and gently insert the head with o-rings onto the hole on the top mounted rotating alkaline water outlet port. Gently position this hose so that glasses and bottles may be filled without spilling.

You are now ready to test the operation of your Processor



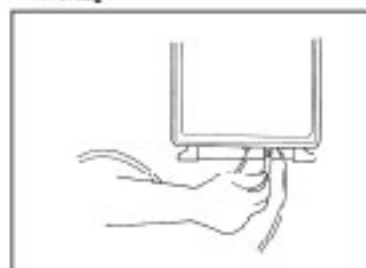
Cutting the hose correct lengths



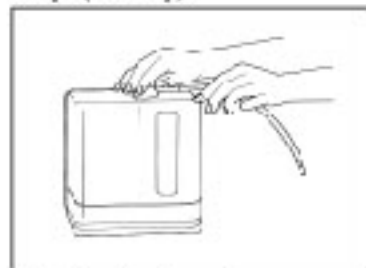
Installing hose onto diverter valve with spring clamp



Installing hose onto processor input W/clamp



Attach remaining hose to acid water output(no clamp)



Attach water dispensing

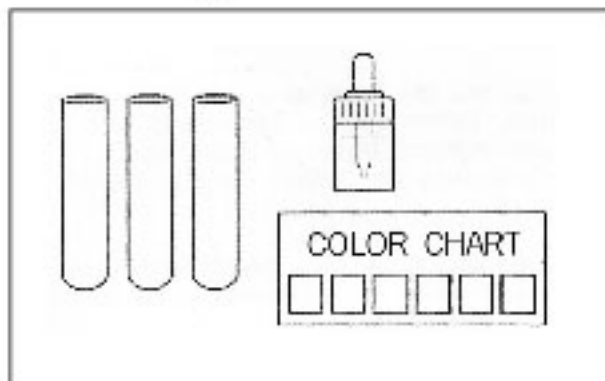
OPERATION

1. Plug the electrical cord onto a suitable power outlet.
You will hear a beep sound.
2. Verify that diverter valve handle is in the vertical position so that water will bypass Processor.
3. Turn on water and confirm that cold water is flowing from the diverter valve.
4. Rotate diverter valve handle in a clockwise direction until it is in a horizontal position.
5. The following things will now happen:
 - a) The Power ON LED and Clean Cycle LED will illuminate.
 - b) An electronic tune will begin playing.
 - c) Water will flow from both the flexible stainless steel hose and the acidic water hose outlet.
6. Allow unit to continue to operate in this way while the initial cleaning takes place. The sequence you have just witnessed will occur every time the Processor is turned on and when water passes through the Processor.
7. The clean cycle is complete once the music stops. Allow some more water to flow through before collecting your alkaline water. This will allow the electrolysis chamber to fully cycle its capacity.
8. Observe that the ION LED is illuminated. This means that alkaline water is being produced at the last level selected. The pH level can now be adjusted by pressing the pH selection button which will index the level up or down one level each time it is pressed.
9. Press the Water Purifier button and note that the pH level and ION LEDs are off, but the Water Purifier LED is illuminated. Water is now bypassing the electrolysis chamber so that purified, but non-ionized water is dispensed, without any change in the pH level. Upon pressing the Water Purifier button again, ionization is resumed.
10. Press the clean button and note that the cleaning cycle has begun again, complete with music to entertain you while you wait. This cleaning cycle will continue briefly or until the Clean button is pressed again.
11. Adjust the pH setting to Level 3 and fill your first glass of alkaline ionic water.
12. Turn off faucet and rotate diverter valve counterclockwise to the vertical position. Note that all LEDs are extinguished, indicating that power to the unit is OFF.

USING THE pH TEST KIT TO LEARN MORE ABOUT YOUR PROCESSOR

1. Locate the pH test kit inside the packaging box.
You should have a small dropper bottle of pH testing solution, 3 test tubes and a pH colour scale label. We will just use one test tube for now.
2. Turn on the tap water with diverter valve in the vertical position so that water flows straight from tap. Fill the test tube, shake, empty, then refill to 2/3's full. Put test tube aside in a small glass to keep from spilling.
3. Carefully open pH solution and draw a small amount into dropper cap.
4. Place 2 drops into test tube, place finger over top of test tube and invert once.
5. compare the colour of the water with the colour scale label. If your tap water is typical, it will register as near neutral, or slightly acidic pH.
6. Empty (never drink) pH solution and thoroughly rinse with tap water.
7. Turn on your Processor and repeat pH tests on the acidic water output and at each pH level setting. In most areas the alkaline pH range is from 7.5 to 10 and the acidic pH range from 3.5 to 6.9. The native mineral content of your tap water will cause this to vary slightly. Remember that the Processor is not adding minerals to the water. Instead, it is simply rearranging the ones that already exist.

pH Test Kit



pH Test



pH Colour Chart

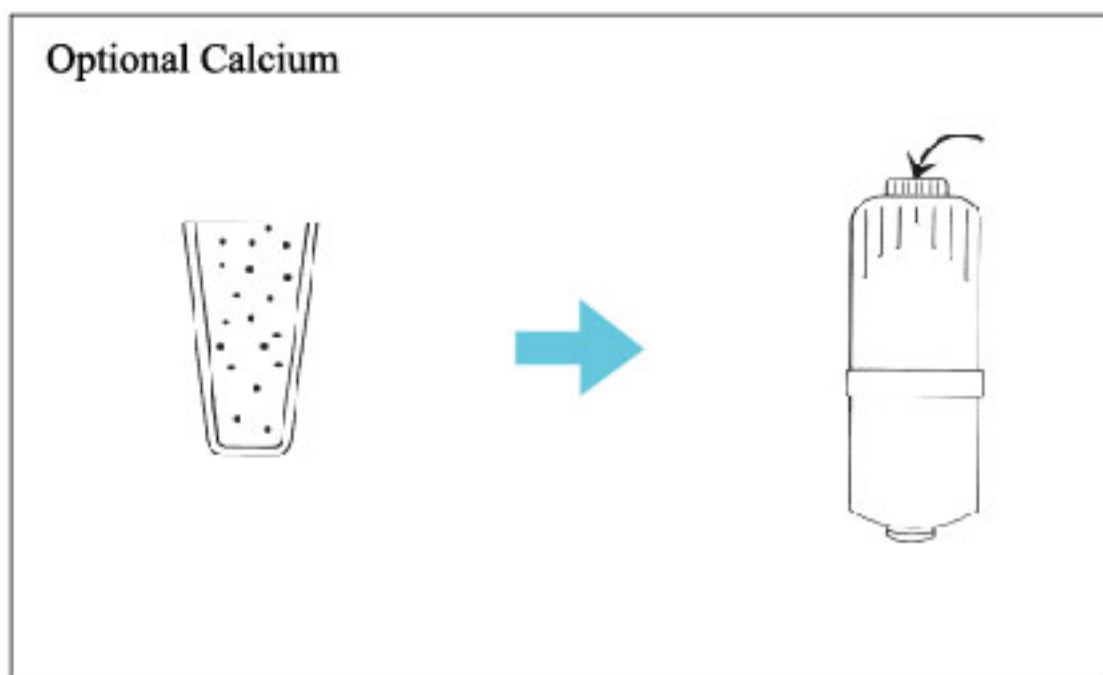


USING THE SUPPLEMENT CALCIUM OPTION

Your Processor has a receptacle within the top of the filter for adding calcium supplement if required. Utilizing this feature will allow a small amount of calcium to be dissolved along with the purified water as it flows out of the filter. The calcium becomes an alkaline ion once it passes through the electrolysis chamber, and is quickly absorbed into the body. The need for this feature will vary according to individual physiology and /or native calcium content in the tap water.

How to insert calcium into the filter receptacle

1. Gently open filter access door on side of the Processor and remove it.
2. Locate the screw cap on top of the filter and rotate counter-clockwise.
3. Plastic calcium receptacle should be visible when filter cap is removed. Gently lift out with little finger.
(do not use anything sharp that might tear superfine screen on receptacle.)
4. Place a small amount of calcium pellets into receptacle (2/3's full) and return receptacle to filter cavity. Replace screw cap and tighten securely. Replace and fasten filter access door.
5. Each vial of calcium powder could last about 3 to 4 weeks depending on usage and source water.



MAINTENANCE

Your Processor is extremely easy to maintain.

The electronic components used are of high quality and the electrolysis chamber is made of high strength, corrosion resistant materials.

Everything is housed in a sturdy enclosure and even the dispensing hose is made of stainless steel.

The followings are the only maintenance that needs your attention:

1. Verify from time to time that the surface under and surrounding the unit is clean and dry. Do not allow the unit to sit on a pool of water. If this is a problem, please consider wall or shelf mounting the Processor.
2. With a clean dishcloth, clean and disinfect the exterior of the unit with water from the acidic discharge as needed.
3. Change the filter when filter life indicator LED reaches the last band (10 bands altogether) or audible alarm sounds. Failure to change filter as indicated may result in reduced flow and less effective filtration.

Follow these steps for filter replacement:

1. Turn off the Power supply.
2. Gently open filter access door from left side and lift off from the main housing.
3. Grasp filter body and rotate in a counterclockwise direction and gently lift up the the filter from its mounting location.
4. Remove protective foil from base of new filter and gently plug into the mounting location, turning clockwise until firmly in place.
5. Locate reset button and push to reset filter life indicator, Ensure that power supply is on. Replace filter access door.
6. Turn on the water supply and let water runs through for about 1 - 2 minutes starting to consume the water.



Cover latch>Gently opening cover>Cover detachment>Rotating filter>New filter foil removal>Filter life indicator reset

TROUBLE SHOOTING

| TROUBLE | PROBABLE CAUSE | REMEDY |
|---|--|--|
| Power on LED Doesn't light | Power Cord unplugged | Verify connection to AC outlet |
| | Circuit over load | Verify house circuit ok, Then check the fuse |
| Water turned off but power LED on | Potential sensor or solenoid switch fault | Unplug and call your Local dealer |
| pH test yields acidic results when set on alkaline | Tested immediately after or during cleaning cycle | Allow water to flow 1 minute after clean cycle. Polarity reverses during cleaning so that acidic exits from alkaline and vice versa |
| Machine turns off unexpectedly during operation | Automatic and current Sensors have exceeded safeguard setpoints and shut unit down | This is an automatic protective system. Once temperature and current are within setpoint operation will resume |
| Loss of water pressure | Filter life has expired | Even if LED life indicator shows otherwise-water may have temporarily high level of sediment or water source is well Cistem, thus causing filter to be Depleted prematurely. -Replace as needed. |
| | Water service problem | Check other faucets in dwelling, Contact water authority |
| | Kink in hose line | Ensure that hose is no longer kinked, or that nothing is resting on hose. |
| Change in water quality | Filter overdue for changing | Even if LED filter life indicator shows otherwise-water may have temporarily high level of sediment due to construction, or Water source is well or cisten.If this happens frequently consider purchasing a pre-filtration unit. See your dealer For details |
| Filter life LED indicates change even though water OK and change was recent | Filter life LED was not reset after last change | Even if LED but mark calendar for 4 months from when actual change occurred and changed them even if LED not all the way across. |
| Water leakage | Verify all hose connections.Ensure that hose has no holes. Next verify that filter is fully seated in receptacle | Tighten hose connections by cutting 1/2 inch off hose end and reattaching with fresh and push spring clamp into place.Remove filter then re-install to Ensure proper seating in receptacle. |

SPECIFICATIONS

| | | | |
|--------------------------------------|---|--|--|
| CERTIFICATION | Ministry of Health and Social Welfare No. 610 | Ionization Method | Continuous flow through electrolysis |
| DESCRIPTION | Water filter and ionizer | pH Adjustments | Five push button accessed levels plus purify only |
| ELECTRICAL REQUIREMENT | | Flow rate it specified tap water pressure | Thru ionizer: Approx 1Gal/Min |
| WEIGHT | 5.5kg(12LBS) Shipping 7kg Actual | Electrode Cleaning | Automatic upon power-up and every 10 min usage. Also push button manual cleaning. (Polarity reversal method) |
| DIMENTIONS | 14.5 inches TALL x 10.25 inches Wide x 5.75 inches F to B(35x26x15cm) | Electrode Meterial | Cathode:Platinum anode |
| WATER PRESSURE | 9.5 - 8.5 PSI | Replacement filter type | Approx 1200 Gallons |
| OPERATION | Automatic upon water input | Filter meterial | 6 level Fiber, Activated carbon with silver to 1micron size exclusion |
| ACCIDENTAL HOT WATER SHUTDOWN | Automatic via temp sensor | Water source | Most municipal supplies |

CERTIFICATE OF WARRANTY CARD

(Customer's Portion)

Name of Owner : _____

Address : _____

Product : _____

Serial Number : _____

Date Purchased : _____

Invoice Number : _____

(Note : The warranty is not transferrable. This portion to be retained by the customer and must be produced when service is required)

Sole Distributor :

CERTIFICATE OF WARRANTY CARD

(Sole distributor's Portion)

Name of Owner : _____

Address : _____

Product : _____

Serial Number : _____

Date Purchased : _____

Invoice Number : _____

Sole Distributor :

We provide a full year warranty effective from date of purchase against manufacturing Defects provided that machine is being used according to the operating instructions.

CONDITIONS : -

- 1) Under normal usage, if the machine breakdown, it shall be repaired free of charge during the warranty period.
 - 2) This one year warranty does not cover the followings:-
 - a) Cleaning and replacement of filter.
 - b) Wrong usage of machine.
 - c) Damage caused by tampering and alterations or repairs made by unauthorized persons.
 - d) Damage cause by defective house wiring or by operating the machine on incorrect voltage or cycles or fluctuations or interruptions in the electric power supply.
 - e) Damage caused by transporting or moving the machine.
 - f) Machine improperly installed.
 - g) Ordinary wear and tear of parts.
 - 3) This warranty is valid in Royal Water only.
 - 4) This warranty is only valid provided purchaser send the 'Sole Distributor' portion of this warranty card duly completed to the Sole Distributor in Royal Water within 7days from date of purchase.
-